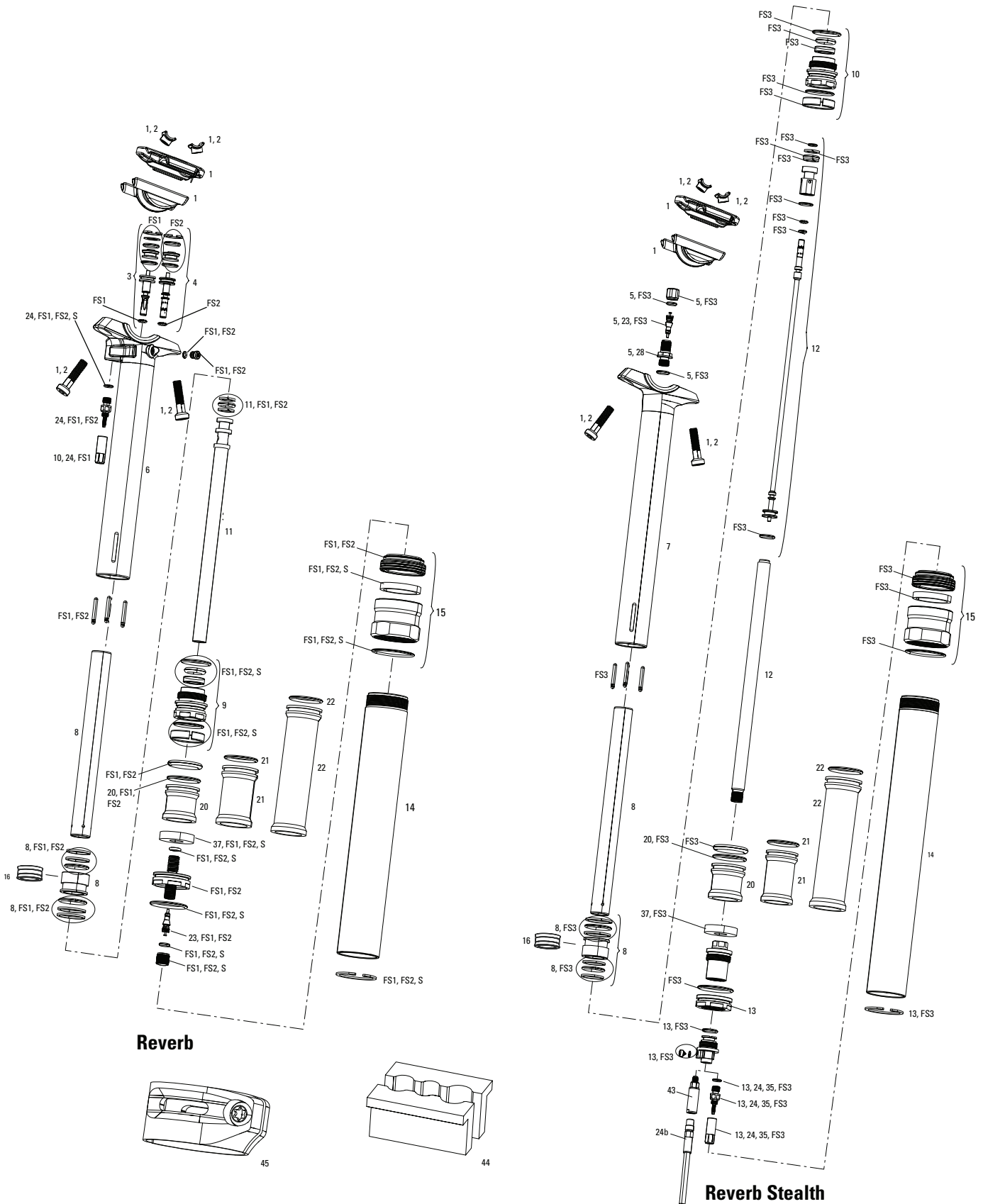
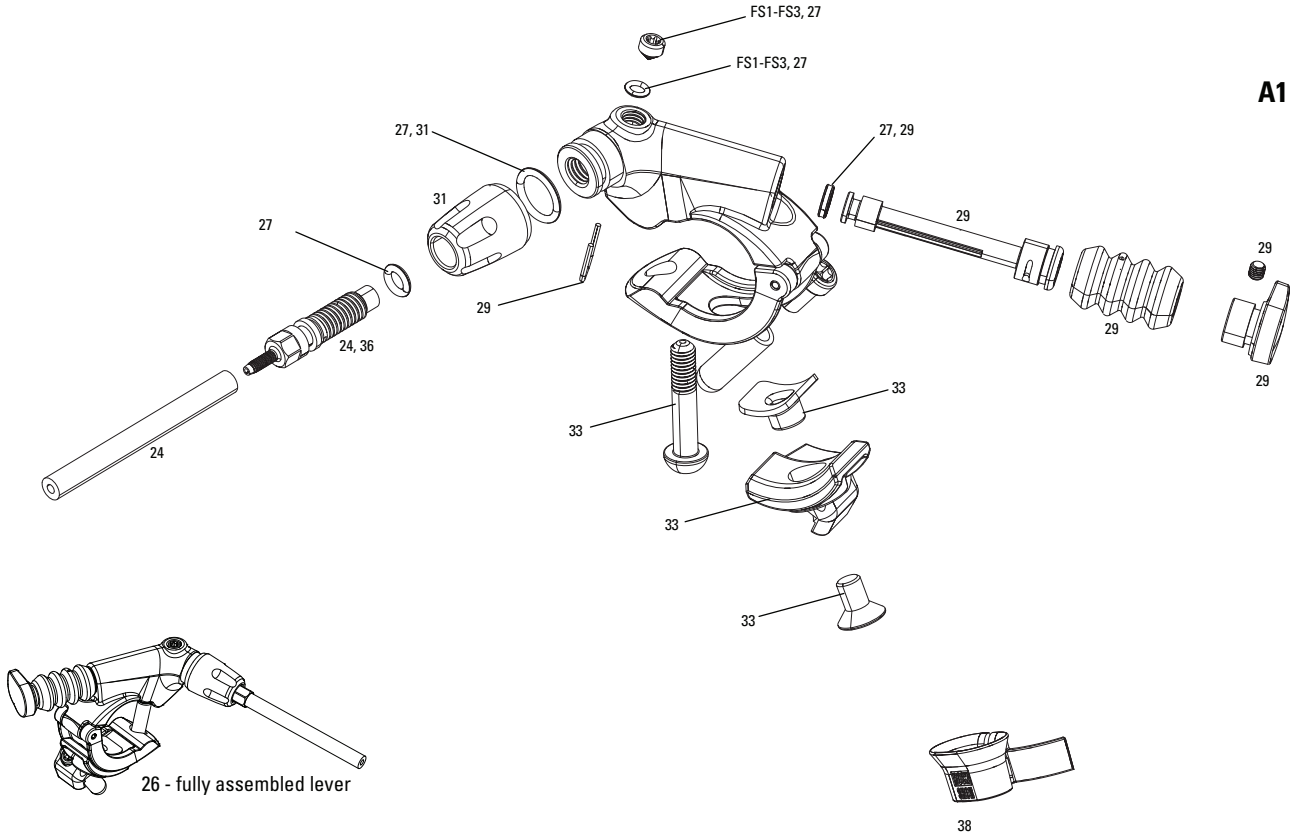


REVERB / REVERB STEALTH A1 & A2



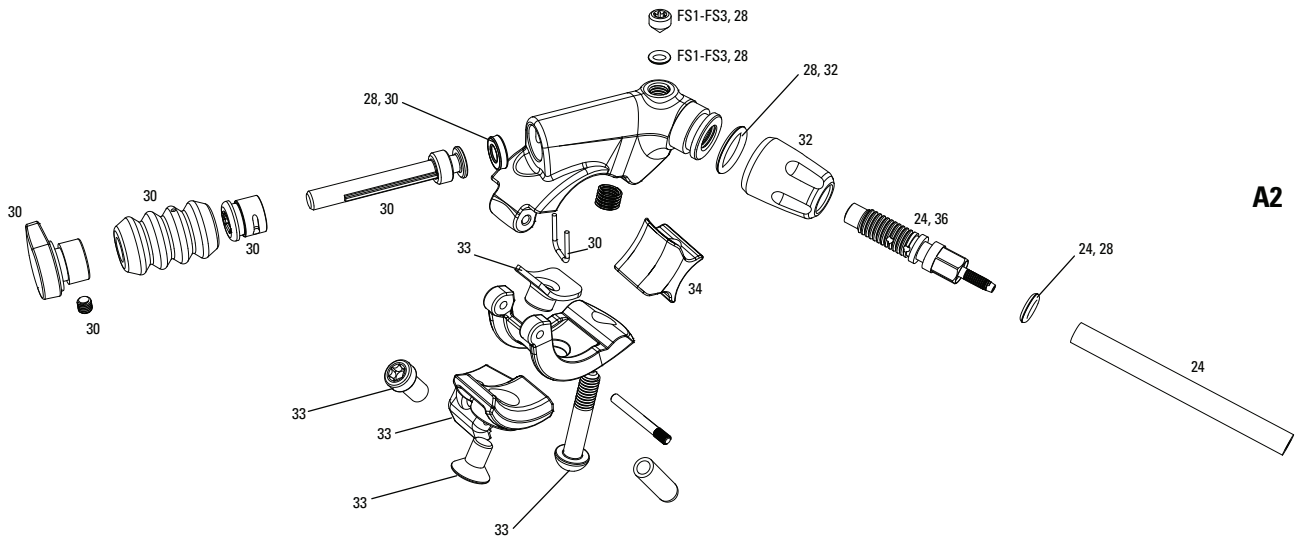
REVERB / REVERB STEALTH A1 & A2

A1



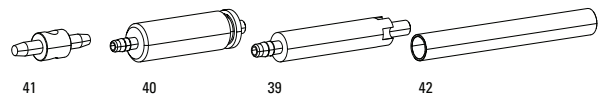
26 - fully assembled lever

A2



Note:

1. A1 - Remote silver adjuster knob - compatible with A1 Reverb only (2011-2013)
2. A2 - Remote black adjuster knob - compatible with A2 & B1 Reverb only (2013-2016)
3. A1 - specific parts not compatible with A2.
4. As of MY16, there is a new IFP for Reverb and Reverb Stealth that does not use the two backup rings. Current full service kits include the new IFP, which is retrofittable into any Reverb or Reverb Stealth
5. If Reverb is sinking into travel or experiencing bypass, please use new IFP tube and inner seal head.



REVERB / REVERB STEALTH A1 & A2

| No. | Part Number | Description |
|-----|-----------------|--|
| 1 | 11.6815.006.010 | Post Clamp Kit - Reverb (includes upper/lower clamp plates/clamp nuts/clamp bolts) |
| 2 | 11.6818.032.000 | Clamp Nut and Bolt Kit (Includes clamp nuts and bolts only) Reverb & Reverb Stealth B1(2017) |
| 2 | 11.6815.007.010 | Clamp Nut and Bolt Kit - Reverb |
| 3 | 11.6818.013.000 | Reverb Poppet Kit A1 (use with A1 upper assembly and A1 remote only) |
| 4 | 11.6818.013.010 | Reverb Poppet Kit A2 (use with A2 upper assembly and A2 remote only) |
| 5 | 11.6818.014.000 | Reverb Stealth Air Valve Assembly |
| 6 | 11.6818.015.020 | Reverb Upper Assy 100mm A2 (use with A2 poppet and A2 remoteonly) |
| 6 | 11.6818.015.030 | Reverb Upper Assy 125mm A2 (use with A2 poppet and A2 remoteonly) |
| 7 | 11.6818.015.040 | Reverb Stealth Upper Assy 100mm A2 (use with A2 poppet and A2 remote only) |
| 7 | 11.6818.015.050 | Reverb Stealth Upper Assy 125mm A2 (use with A2 poppet and A2 remote only) |
| 7 | 11.6818.015.060 | Reverb Stealth Upper Assy 150mm A2 (use with A2 poppet and A2 remote only) |
| 8 | 11.6818.016.030 | Reverb/Reverb Stealth IFP Tube 100mm (includes new, upgradedIFP) |
| 8 | 11.6818.016.040 | Reverb/Reverb Stealth IFP Tube 125mm (includes new, upgradedIFP) |
| 8 | 11.6818.016.050 | Reverb/Reverb Stealth IFP Tube 150mm (includes new, upgradedIFP) |
| 9 | 11.6818.017.000 | Reverb Inner SealHead |
| 10 | 11.6818.017.020 | Reverb Stealth Inner SealHead New |
| 11 | 11.6818.018.000 | Reverb Main Piston/Shaft 355X100mm/380X125mm |
| 11 | 11.6818.018.010 | Reverb Main Piston/Shaft 420x100mm |
| 11 | 11.6818.018.020 | Reverb Main Piston/Shaft 420x125mm |
| 12 | 11.6818.019.000 | Reverb Stealth A1 Main Piston/Poppet Kit 355x100mm/380x125mm(use with A1 upper assembly and A1 remote only) |
| 12 | 11.6818.019.010 | Reverb Stealth A1 Main Piston/Poppet Kit 420x100mm (use withA1 upper assembly and A1 remote only) |
| 12 | 11.6818.019.020 | Reverb Stealth A1 Main Piston/Poppet Kit 420x125mm (use withA1 upper assembly and A1 remote only) |
| 12 | 11.6818.019.030 | Reverb Stealth A2 Main Piston/Poppet Kit 355x100mm/380x125mm(use with A2 upper assembly and A2 remote only) |
| 12 | 11.6818.019.040 | Reverb Stealth A2 Main Piston/Poppet Kit 420x100mm (use withA2 upper assembly and A2 remote only) |
| 12 | 11.6818.019.050 | Reverb Stealth A2 Main Piston/Poppet Kit 420x125mm (use withA2 upper assembly and A2 remote only) |
| 12 | 11.6818.019.060 | Reverb Stealth Main Piston/Poppet Kit 430x150mm |
| 13 | 11.6815.030.010 | Lower Hose Barb Assembly Kit - Reverb Stealth |
| 14 | 11.6815.009.010 | Lower/Outer Tube 355x100, 380x125/100 30.9 - Reverb (includes lower/outer tube only) |
| 14 | 11.6815.009.020 | Lower/Outer Tube 355x100, 380x125/100 31.6 - Reverb (includes lower/outer tube only) |
| 14 | 11.6818.020.000 | Lower/Outer Tube 355/380 34.9 - Reverb (includes lower/outertube only) |
| 14 | 11.6815.009.030 | Lower/Outer Tube 420x125 30.9 - Reverb (includes lower/outertube only) |
| 14 | 11.6815.009.040 | Lower/Outer Tube 420x125 31.6 - Reverb (includes lower/outertube only) |
| 14 | 11.6818.020.020 | Lower/Outer Tube 420x100 34.9 - Reverb (includes lower/outertube only) |
| 14 | 11.6815.009.070 | Lower/Outer Tube 420x100 30.9 - Reverb (includes lower/outertube only) |
| 14 | 11.6815.009.080 | Lower/Outer Tube 420x100 31.6 - Reverb (includes lower/outertube only) |
| 14 | 11.6818.020.010 | Lower/Outer Tube 420x125 34.9 - Reverb (includes lower/outertube only) |
| 14 | 11.6818.020.030 | Lower/Outer Tube 430x150 30.9 - Reverb (includes lower/outertube only) |
| 14 | 11.6818.020.040 | Lower/Outer Tube 430x150 31.6 - Reverb (includes lower/outertube only) |
| 14 | 11.6818.020.050 | Lower/Outer Tube 430x150 34.9 - Reverb (includes lower/outertube only) |
| 15 | 11.6815.010.010 | Top Cap/Dust Wiper Assembly Kit - Reverb |
| 15 | 11.6815.010.020 | Top Cap Black/Dust Wiper Assembly Kit - Reverb |
| 16 | 11.6818.034.000 | Internal Floating Piston (Upgrade for A1 and A2 Post) - Reverb & Reverb Stealth A1, A2, and B1 |
| 16 | 11.6818.035.009 | Bulk Internal Floating Piston Qty 10 (Includes 10 IFP's) - Reverb and Reverb Stealth A2and B1 |
| FS1 | 11.6818.003.010 | Reverb Full Service Kit (includes new, upgraded IFP; requires post bleed tool, oil height tool and IFP height tool) - A1(2010-2012) |
| FS2 | 11.6818.021.010 | Reverb Full Service Kit (includes new, upgraded IFP; requires post bleed tool, oil height tool and IFP height tool) - A2(2013-2016) |
| FS3 | 11.6818.022.020 | Reverb Stealth Full Service Kit New (includes new, upgradedIFP; requires post bleed tool, oil height tool and IFP height tool) - A2 (2013-2016) |
| S | 11.6815.031.000 | Reverb Basic Service Kit (includes o-rings only) |
| 20 | 11.6818.023.000 | Reverb Volume Spacers 355x100mm |
| 21 | 11.6818.023.010 | Reverb Volume Spacers 420x100mm |
| 22 | 11.6818.023.020 | Reverb Volume Spacers 420x125mm |
| 23 | 11.4308.327.002 | Schrader Valve Core Qty 2 |
| 24a | 11.6815.025.010 | Hydraulic Hose (2000mm) Kit - Reverb (includes new hose, newstrain relief, new barb) |
| 24a | 11.6815.025.020 | Hydraulic Hose White (2000mm) Kit - Reverb (includes new hose, new strain relief, new barb) |
| 24b | 11.6815.025.030 | Hydraulic Hose (2000mm) Kit - Reverb Connectamajig (use onlywith Connectamajig Post) A2 |
| 25 | 11.6815.028.010 | Strain Relief (Hydraulic Hose)- Reverb New |
| 26 | 11.6815.026.010 | Remote Lever Assembly/new hose Kit (Left/MMX) - Reverb (includes left remote lever, MMX clamp, new hose 1500mm, new hosebarb, new strain relief) |
| 26 | 11.6815.026.020 | Remote Lever Assembly/new hose Kit (Right/MMX) - Reverb (includes right remote lever, MMX clamp, new hose 1500mm, new hose barb, new strain relief) |
| 26 | 11.6815.026.030 | Remote Lever Assembly/new hose Kit (Left) - Reverb (includesleft remote lever, new hose 1500mm, new hose barb, new strain relief) |
| 26 | 11.6815.026.040 | Remote Lever Assembly/new hose Kit (Right) - Reverb (includes right remote lever, new hose 1500mm, new hose barb, new strain relief) |
| 26 | 11.6815.026.050 | Remote Lever Assembly A2/hose Kit (Left/MMX) - Reverb (includes left remote lever, MMX clamp, discrete puck, new hose 2000mm, new hose barb, new strain relief) |
| 26 | 11.6815.026.060 | Remote Lever Assembly A2/hose Kit (Right/MMX) - Reverb (includes right remote lever, MMX clamp, discrete puck, new hose2000mm, new hose barb, new strain relief) |
| 27 | 11.6815.015.010 | Remote Lever Service Kit - Reverb |
| 28 | 11.6818.024.001 | Remote Lever Service Kit - Reverb New A2 |
| 29 | 11.6815.016.010 | Button Kit, Left, Remote - Reverb |
| 29 | 11.6815.016.020 | Button Kit, Right, Remote - Reverb |
| 30 | 11.6818.025.020 | Button Kit Reverb Remote, Left New A2 |
| 30 | 11.6818.025.030 | Button Kit Reverb Remote, Right New A2 |

REVERB / REVERB STEALTH A1 & A2



| No. | Part Number | Description |
|-----|-----------------|--|
| 31 | 11.6815.027.010 | Return Speed Adjuster Knob Kit, Remote - Reverb New |
| 32 | 11.6818.026.000 | Return Speed Adjuster Knob Kit, Remote A2 - 2013 Reverb |
| 33 | 11.4315.016.010 | Clamp/Bracket Hardware, XLoc Left, Ti Hardware |
| 33 | 11.4315.016.020 | Clamp/Bracket Hardware, XLoc Right, Ti Hardware |
| 33 | 11.5315.049.010 | MMX/Shifter Mounting Bracket, Left - Elixir CR Mag/X0/XX, Stainless Hardware |
| 33 | 11.5315.049.020 | MMX/Shifter Mounting Bracket, Right - Elixir CR Mag/X0/XX, Stainless Hardware |
| 34 | 11.6818.001.000 | Discrete Puck Hydraulic Remote (Spacer) For XLoc Remotes Qty2 |
| 35 | 11.6815.022.010 | Hose Barb Reverb Post, Qty 1 |
| 35 | 11.6815.022.020 | Hose Barb Reverb Post, Qty 10 |
| 36 | 11.6815.022.030 | Hose Barb Reverb Remote, Qty 1 |
| 36 | 11.6815.022.040 | Hose Barb Reverb Remote, Qty 10 |
| 37 | 11.6818.000.000 | Foam Reverb Filter, Reverb Qty 10 |
| 38 | 00.4315.020.010 | Cable/Hose Line Guide, Black - RockShox Qty 2 |
| 39 | 00.6815.066.010 | Oil Height Tool - Reverb |
| 40 | 00.6815.066.020 | Post Bleed Tool - Reverb |
| 41 | 00.6815.066.030 | Barb Connector - Reverb Stealth |
| 42 | 00.6815.066.040 | IFP Height Tool - Reverb |
| 43 | 11.4318.005.000 | Connectamajig Collar Suspension Black - Reverb/XLoc Full sprint |
| ns | 00.4318.008.000 | Grease SRAM Butter 20ml Syringe, Friction Reducing Grease bySlickoleum - Recommended for X0/Rise XX/Roam 40, 30/Rail 40/Rise 60 B1/ Hub Pawls, RockShox Forks and Reverb Service |
| ns | 00.4318.008.001 | Grease SRAM Butter 1oz Container, Friction Reducing Grease by Slickoleum - Recommended for X0/Rise XX/Roam 40, 30/Rail 40/Rise 60 B1/ Hub Pawls, RockShox Forks and Reverb Service |
| ns | 11.4315.021.070 | RockShox Reverb Hydraulic Fluid, 120ml Bottle - Reverb/Sprint Remote |
| ns | 00.4318.007.001 | RockShox Standard Bleed Kit (includes 2 Syringes/fittings, Reverb Hydraulic Fluid, 120ml Bottle new) |
| ns | 00.4315.023.010 | High-Pressure Fork/Shock Pump (300 psi Max) RockShox |
| ns | 00.4315.022.010 | Schrader Valve Removal Tool Rockshox |
| ns | 00.5315.027.000 | Cable Housing/Hydraulic Line Rotating Hooks, SRAM Qty 4 |
| 44 | 00.4115.154.020 | Rear Shock Vise blocks, 3 Hole for RockShox Monarch/Vivid/Vivid Air/Reverb |
| 45 | 00.6818.006.000 | Reverb Enduro Height Collar Silver |