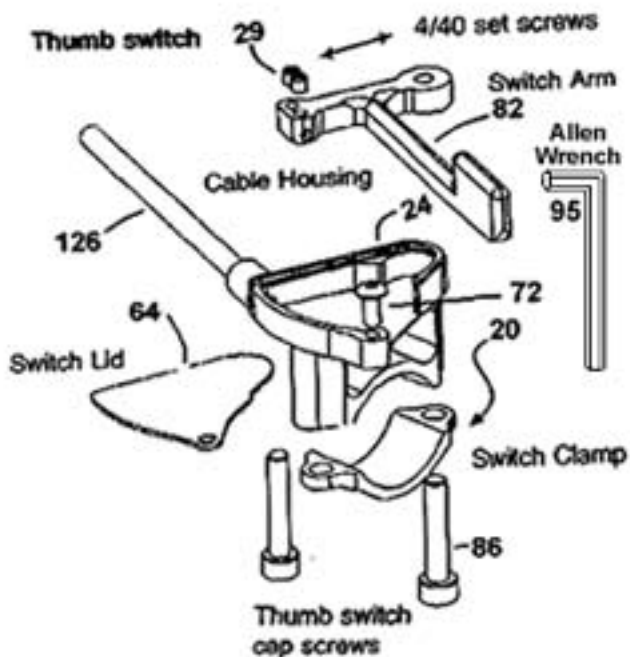
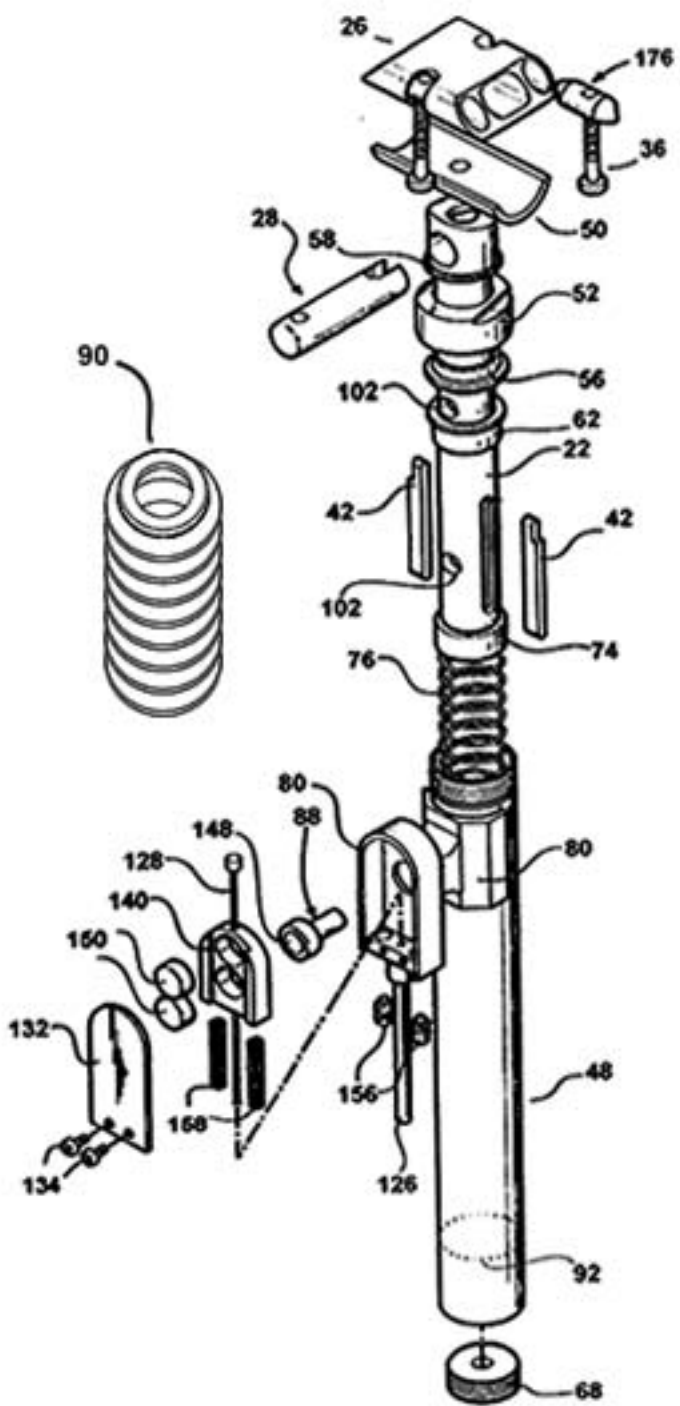


## GravityDropper Turbo Parts

Part Number:

- #20 Switch Clamp
- #22 Inside Tube
- #24 Switch Body
- #26 Top Seat Clamp
- #28 Seat Rod
- #29 4/40 Set Screws (takes .050 allen wrench)
- #30 Outside Tube (Item not sold individually)
- #36 Top Clamp Bolts (Size M5 x .8 x 45mm long)
- #42 Shims (for inside tube)
- #50 Half Moon
- #52 Top Cap
- #56 Seal
- #62 Bushing
- #64 Switch Lid
- #68 Bottom Cap Nut
- #72 Switch Lid Screw (Size M3x.5x6mm long)
- #74 Plastic Bottom Cap
- #76 Large Main Spring
- #82 Switch Arm
- #84 Descender/Turbo unit (Item not sold individually)
- #86 Switch Cap Screws (Size M4x.7x20mm long)
- #90 Rubber Boot
- #95 Allen wrench .050 american
- #98 SHIMS for other diameters
- #126 Cable Housing
- #128 Standard Gear Cable
- #134 Cap Screws (Size M3x.5x6mm long)
- #176 Top Clamp Nuts
- #288 Pin for Turbo
- #332 Turbo Unit
- #334 Cap Screws for Turbo (Size M3x.5x20mm)
- #358 Outside Turbo Pin Spring
- #402 Cable head (see item 128)
- #406 Inside Turbo Pin Spring
- #408 Knurling Cap for Turbo
- #412 Spacer Plate for Turbo

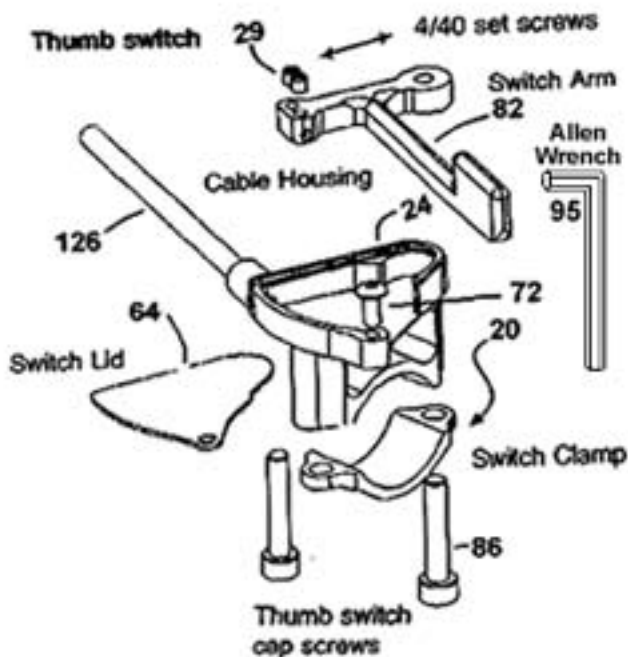


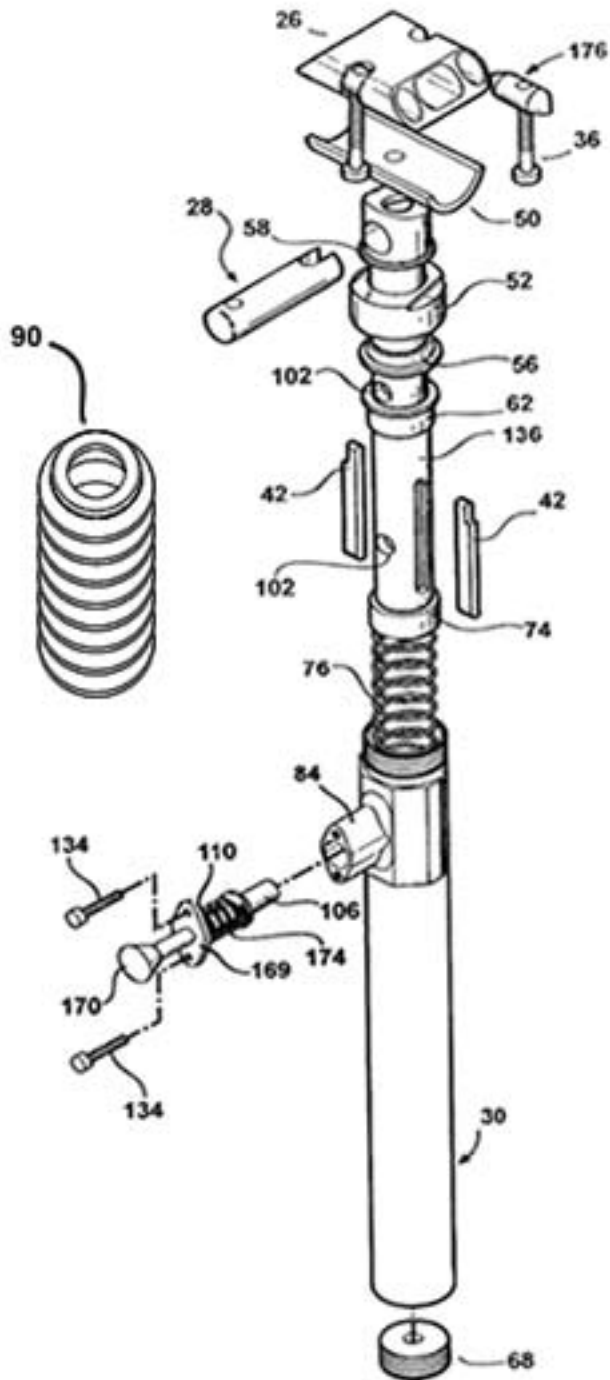


## GravityDropper Classic Parts

Part Number:

- #20 Switch Clamp
- #22 Inside Tube
- #24 Switch Body
- #26 Top Seat Clamp
- #28 Seat Rod
- #29 4/40 Set Screws (takes .050 allen wrench)
- #36 Top Clamp Bolts (Size M5 x .8 x 45mm long)
- #42 Shims (for inside tube)
- #48 Outside Tube (not sold individually)
- #50 Half Moon
- #52 Top Cap
- #56 Seal
- #62 Bushing
- #64 Switch Lid
- #68 Bottom Cap Nut
- #72 Switch Lid Screw (Size M3x.5x6mm long)
- #74 Plastic Bottom Cap
- #76 Large Main Spring
- #80 Gravitydropper Unit (not sold individually)
- #82 Switch Arm
- #86 Switch Cap Screws (Size M4x.7x20mm long)
- #88 GravityDropper Pin
- #90 Rubber Boot
- #95 Allen wrench .050 american
- #98 SHIMS for other diameters
- #126 Cable Housing
- #128 Standard Gear Cable
- #132 Gravitydropper Lid
- #134 Cap Screws (Size M3x.5x6mm long)
- #140 Magnetic Slider Bar
- #150 Magnets for slider bar
- #156 Tension Set Screws
- #158 Slider bar Springs
- #176 Top Clamp Nuts





## Gravity Dropper Descender Parts

Part Number:

- #22 Inside Tube
- #24 Switch Body
- #26 Top Seat Clamp
- #28 Seat Rod
- #30 Outside Tube (Item not sold individually)
- #36 Top Clamp Bolts (Size M5 x .8 x 45mm long)
- #42 Shims (for inside tube)
- #50 Half Moon
- #52 Top Cap
- #56 Seal
- #62 Bushing
- #64 Switch Lid
- #68 Bottom Cap Nut
- #74 Plastic Bottom Cap
- #76 Large Main Spring
- #84 Descender/Turbo unit (Item not sold individually)
- #90 Rubber Boot
- #95 Allen wrench .050 american
- #98 SHIMS for other diameters
- #106 Descender Pin
- #134 Cap Screws (Size M3x.5x6mm long)
- #169 Descender Front Plate
- #170 Descender Knob
- #174 Descender Spring
- #176 Top Clamp Nuts