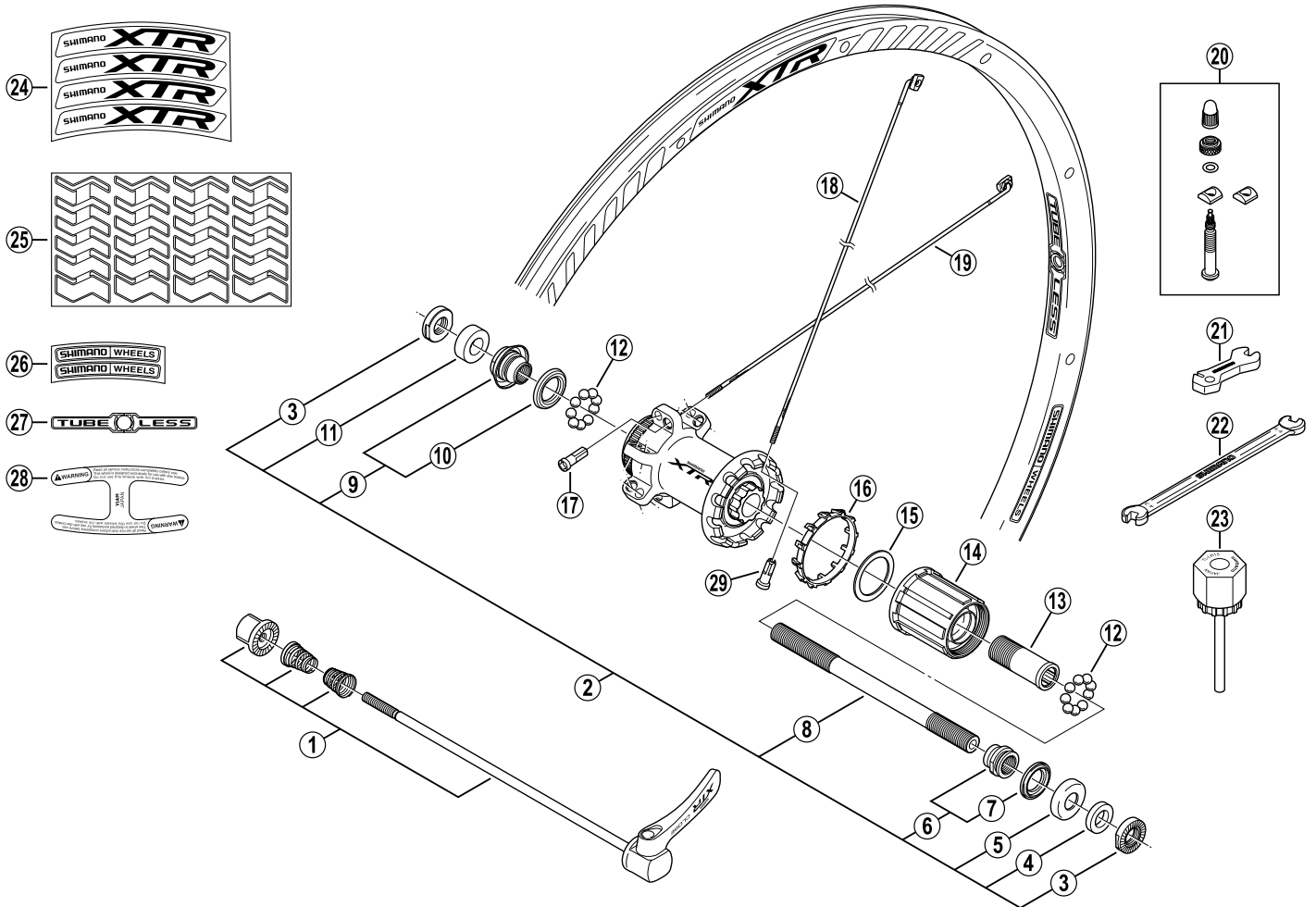


SHIMANO XTR Rear Wheel (for Disc Brake)

WH-M965-R 9-Speed



Q'TY	ITEM NO.	SHIMANO CODE NO.	DESCRIPTION
	1	Y-3BY 98010	Complete Quick Release 168 mm (6-5/8")
	2	Y-3BY 98020	Complete Hub Axle 146 mm (5-3/4")
	3	Y-32P 08000	Serrated Lock Nut 4 mm
	4	Y-3BY 12000	Right Hand Axle Spacer B 3.4 mm
	5	Y-3A0 05000	Right Hand Dust Cap
	6	Y-3BY 98030	Right Hand Cone (M10 x 12.5 mm) & Seal Ring
	7	Y-214 06000	Right Hand Seal Ring
	8	Y-32T 09000	Hub Axle 146 mm (5-3/4")
	9	Y-32T 98040	Left Hand Cone (M10 x 16 mm) w/Dust Cover & Seal Ring
	10	Y-377 10000	Left Hand Seal Ring
	11	Y-3BY 11000	Left Hand Axle Spacer A 6.7 mm
	12	Y-000 91370	Stainless Ball (1/4") 18 pcs.
	13	Y-3BY 09000	Body Fixing Bolt
	14	Y-3BY 98040	Complete Freewheel Body w/Right Hand Dust Cap
	15	Y-3BY 10000	Freewheel Body Washer
	16	Y-4B6 48000	Hub Body Cap
	17	Y-4A0 03000	Left Hand Nipple (15 mm)
	18	Y-4B5 90700	Right Hand Spoke (252 mm) w/Washer
	19	Y-4B5 90600	Left Hand Spoke (272 mm) w/Washer
	20	Y-4B6 98030	Valve Unit
	21	Y-4A0 08000	Nipple Wrench
	22	Y-4A0 14000	TL-WH77 Nipple Wrench
	23	Y-120 09230	TL-LR15 Lock Ring Removal Tool
	24	Y-4B6 98040	Rim Sticker A / 1 sheet (4 pcs.)
	25	Y-4B6 98050	Rim Sticker B / 1 sheet (4 pcs.)
	26	Y-4AM98060	Rim Sticker C / 1 sheet (2 pcs.)
	27	Y-4B6 05000	Rim Sticker D
	28	Y-4B6 07000	Warning Sticker
	* 29	Y-012 Z4200	Right Hand Nipple (15 mm)