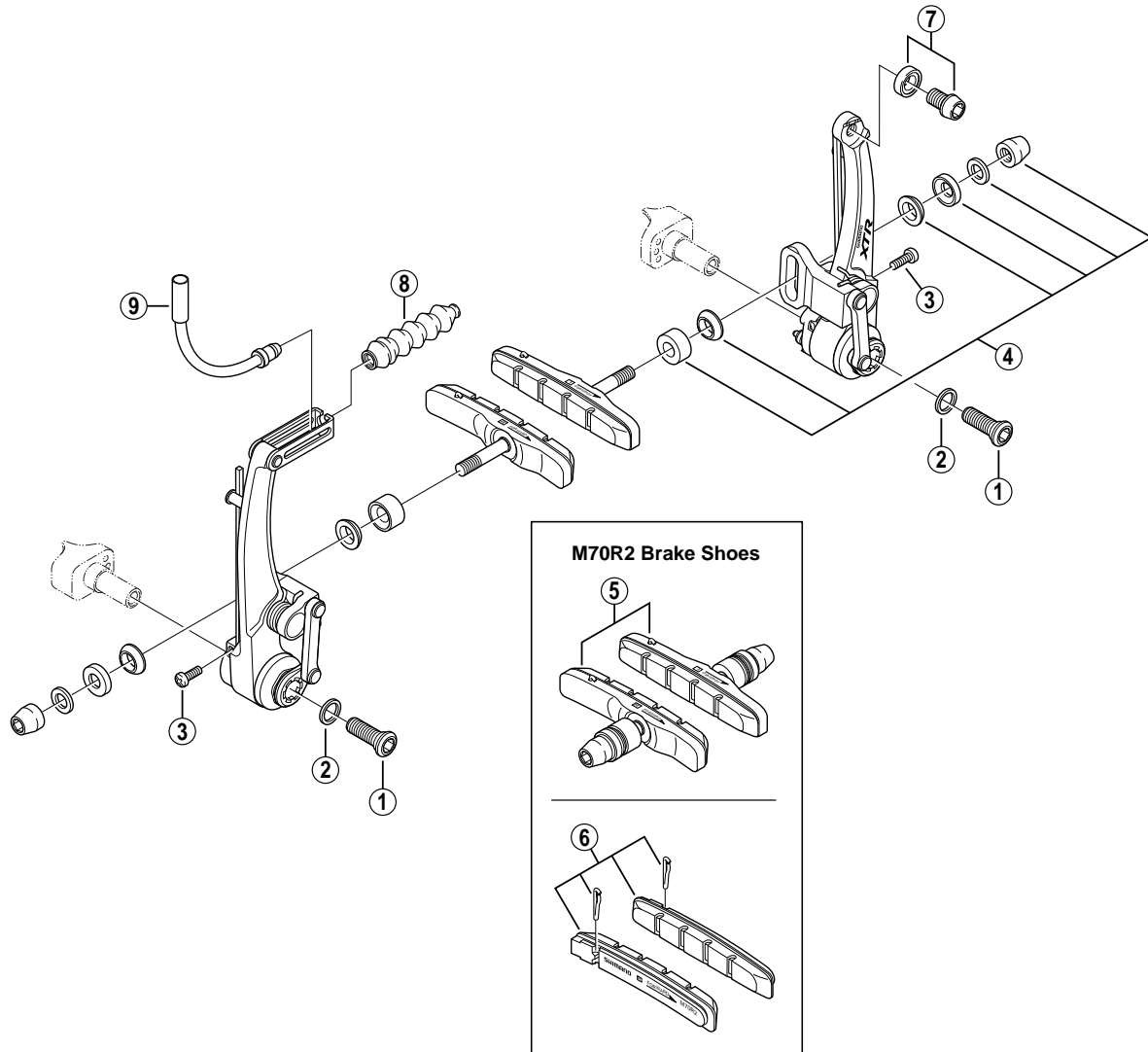


XTR V-BRAKE Brake BR-M970



ITEM NO.	SHIMANO CODE NO.	DESCRIPTION	INTERCHANGEABILITY	
			BR-M960	BR-M760
1	Y-8AB 30000	Link Fixing Bolt (M6 x 18)	A	
	Y-8AB 31000	Link Fixing Bolt (M6 x 20.5)	A	
	Y-8AB 32000	Link Fixing Bolt (M6 x 30.5)	A	
2	Y-8AA 49000	Link Fixing Washer	A	
3	Y-8AA 51000	Spring Tension Adjustment Screw (M3 x 8.5)	A	
4	Y-8AB 98020	Shoe Fixing Nut Unit	A	B
5	Y-8E4 98010	M70R2 Cartridge-Type Brake Shoe Set (Pair)	A	B
6	Y-8AA 98020	M70R2 Cartridge-Type Brake Shoes & Fixing Pins (Pair)	A	B
7	Y-8AB 98030	Cable Fixing Bolt (M6 x 8.5) & Plate	A	
8	Y-8AA 42000	Boot	A	B
9	Y-8AA 98070	Inner Cable Lead Unit (90°: Middle)	A	A
	Y-8AA 98080	Inner Cable Lead Unit (135°: Long)	A	A
	Y-8AA 98120	Inner Cable Lead Unit (45°: Short)	A	A

A: Same parts.

B: Parts are usable, but differ in materials, appearance, finish, size, etc.

Absence of mark indicates non-interchangeability.

0607-2608

Specifications are subject to change without notice.

SHIMANO