

# SHIMANO®

## SHIMANO EUROPA

Industrieweg 24 NL-8071 CT Nunspeetâ Holland  
Phone 31-3412-72222

## SHIMANO AMERICAN CORPORATION

One Holland Irvine CA 92618 U. S. A.  
Phone 949-951-5003

# Spare parts list for after market.

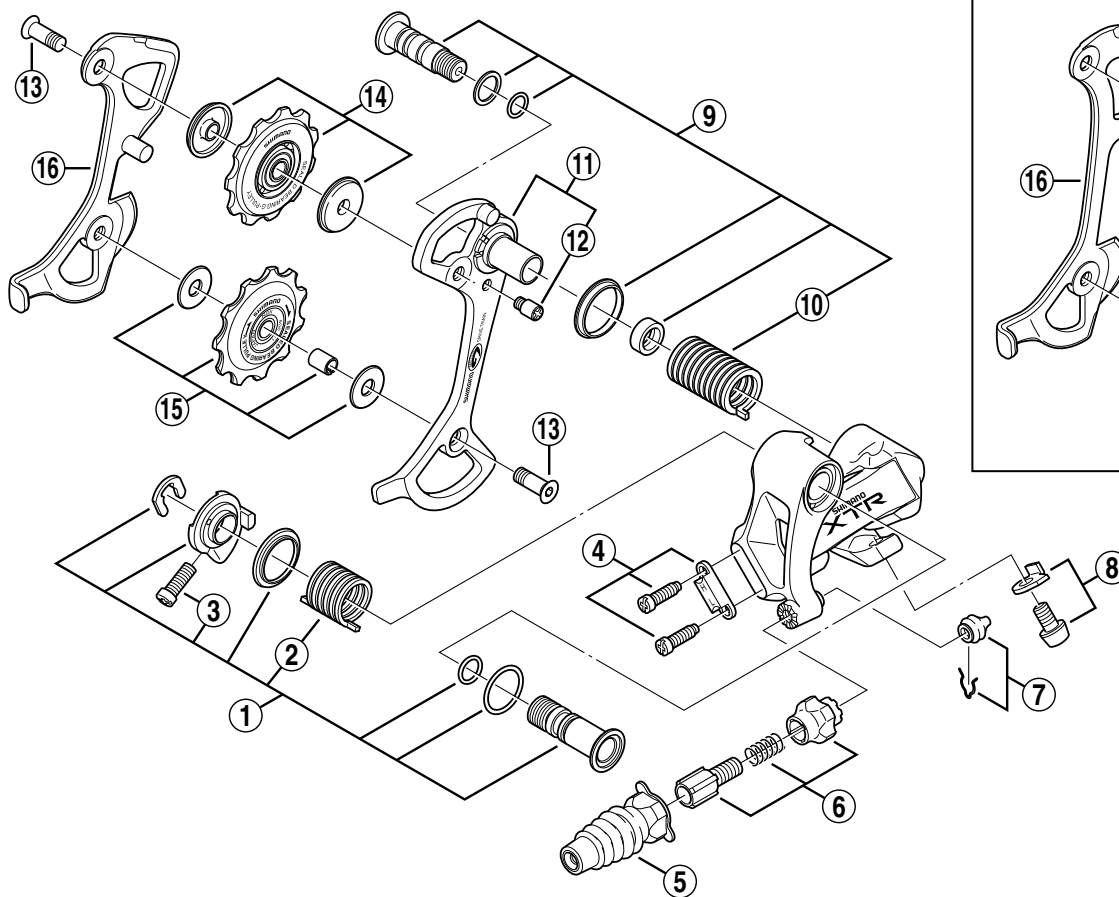
- You may photocopy this sheet and use it as an order form.
- Sie können dieses Blatt kopieren und als Bestellformular verwenden.
- Vous pouvez photocopier cette feuille et l'utiliser comme bon de commande.
- Dit blad kan gecopieerd en als bestelformulier gebruikt worden.
- Potete fotocopiare questo foglio e usarlo come modulo di commissione.

## SHIMANO XTR Rear Derailleur (9-Speed)

Dec. 1998

# RD-M953 Middle Cage

# RD-M953-SGS Super Long Cage



ITEM NO.	SHIMANO CODE NO.	DESCRIPTION
1	Y-5TM98010	B-Axle Assembly
2	Y-53N 12000	B-Tension Spring
3	Y-53M 21000	B-Tension Adjusting Screw (M4 x 12)
4	Y-53N 98020	Stroke Adjusting Screws (M4 x 13.5) & Plate
5	Y-5TN 13000	Cable Adjusting Rubber Cover
6	Y-5TJ 98030	Cable Adjusting Bolt Unit
7	Y-5TP 98030	Rubber Boot & Stop Ring
8	Y-53M 98050	Cable Fixing Bolt (M5 x 8) & Plate
9	Y-53M 98060	Plate Axle Assembly
10	Y-53M 17010	P-Tension Spring
11	Y-5TN 98010	Outer Plate (Middle Type) & Plate Stopper Pin
	Y-5TN 98020	Outer Plate (SGS-Type) & Plate Stopper Pin
12	Y-559 19100	Plate Stopper Pin
13	Y-53M 24000	Pulley Bolt
14	Y-53N 98080	Guide Pulley Unit
15	Y-53N 98090	Tension Pulley Unit
16	Y-5TM98040	Inner Plate (Middle Type)
	Y-5TN 98030	Inner Plate (SGS-Type)